

METALEDGE

TECHNOLOGIES PVT LTD



Metal | Acoustic Ceilings | Cladding Systems

 www.Metaledge.in

DESIGNED FOR MODERN ARCHITECTURE

INTRO

Metal Edge is a Bangalore-based manufacturer specializing in architectural metal ceiling and cladding systems. We combine engineering precision with modern design to create high-performance ceiling solutions for commercial, industrial, and residential spaces.

With expertise in fabrication, finishing, and system development, we deliver products that are durable, easy to install, and visually refined. Our team works closely with architects and designers to bring innovative concepts to life.

Every solution we offer is tailored to meet project-specific requirements—ensuring quality, functionality, and design excellence in every detail.

MISSION

To deliver innovative and reliable metal ceiling systems with superior quality and precision.

VISION

To create modern architectural spaces through advanced metal solutions and design excellence.

WHY METAL EDGE

- Premium quality architectural ceiling and facade solutions
- In-house manufacturing with precision engineering
- Advanced powder coating and wooden finish capabilities
- Modern designs with customizable patterns and finishes
- Durable, lightweight, and easy-to-install systems
- Cost-effective solutions with uncompromised quality
- Commitment to proper project timelines and reliable delivery
- Strong technical support for architects, designers, and contractors
- Wide range of ceiling, facade, acoustic, and decorative systems
- Proudly Made in India with high manufacturing standards

PRODUCT

CODE



1	Aluminium Extruded baffle Ceiling	ME/AL-B-C
2	U baffle Ceiling	ME/U-B-C
3	Square Rafter Ceiling	ME/SQR-C
4	Triangular Rafter Ceiling	ME/TRI-C
5	Torsion Spring Ceiling	ME/TOR-C
6	Hook On Ceiling	ME/HK-C
7	Multi Box Ceiling	ME/MB-C
8	Plank Ceiling C Plank F Plank	ME/CP-C ME/FP-C
9	Lay In Grid Ceiling Lay in Plain Lay in Perforated Lay in Mesh	ME/LG-PL ME/LG-PR ME/LG-MS
10	Clip In Ceiling Clip in Plain Clip in Perforated Clip in Mesh	ME/CL-PL ME/CL-PR ME/CL-MS
11	Wall Baffle Cladding	ME/WB - CDG
12	Square Open Cell Ceiling T Grid System Runner System	ME/SQOC-G ME/SQOC-R
13	Triangle Open Cell Ceiling T Grid System Runner System	ME/TROC-G ME/TROC-R
14	Linear Open Cell Ceiling	ME/LROC-G/R
15	Customised Ceilings	ME/CUSTM-ME

PRODUCT

CODE

16	Linear Acoustic baffle Ceiling	ME/ACL-B-C
17	Acoustic Rafter Ceiling	ME/AC-R-C
18	Acoustic Cloud Ceiling	ME/AC-CD-C
19	Acoustic Wall Cladding	ME/AC-WP
20	Rattan Ceiling	ME/RTTN
21	Customised Ceilings	ME/CUSTM-AC
22	Parametric wall cladding	ME/PAR-C
23	Colour & Finishes	

ALUMINIUM EXTRUDED BAFFLE CEILING

Product Code : ME/AL-B-C

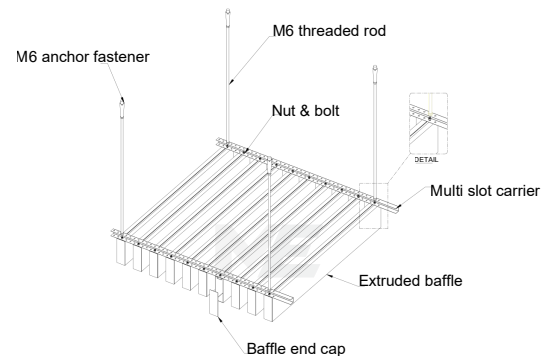


Metal Edge Baffle Ceiling System, it gives a modern look to any room. The open design creates a clean and stylish appearance.

It is easy to access the space above the ceiling for maintenance or future work. The baffles are lightweight and do not add extra load. They can be installed in full or in parts and can be used on straight or curved surfaces.

It is easy to install and remove, and can be customized as per the project. It is ideal for places where good sound is important, like theatres, conference rooms, and halls.

Specification



It is made of aluminium extrusion.

- Material: Aluminium Alloy 6063-T6
- Standard section sizes: 25×100 (T1.2), 25×150 (T1.4), 50×50 (T1.2), 50×100 (T1.4), 50×150 (T1.6)
- Non-standard sections can also be provided based on availability
- Length as per design requirement (maximum 6 m)
- Finish: Powder coating with standard RAL colors and wood grain



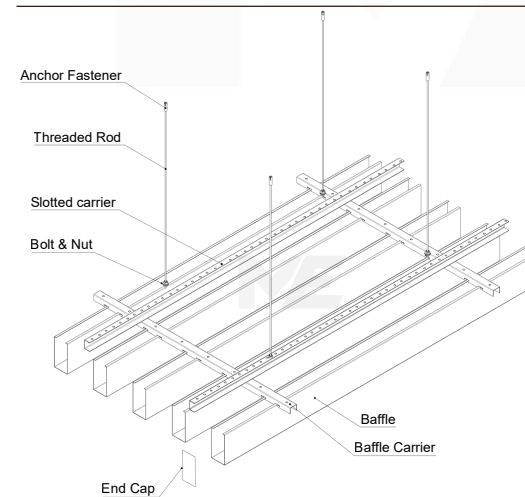
' U ' BAFFLE CEILING

Product Code : ME/U-B-C



To introduce a distinctive design element and create a striking visual impact, Metal Edge's U-Baffle Metal Ceiling offers an economical and highly customizable solution. It can be seamlessly installed on vertical as well as curved surfaces. The baffle ceiling enhances the overall aesthetics of any space with its sleek, clean-lined design and excellent sound absorption properties. Designed as an open ceiling system with bolt-on panels, it delivers a refined and seamless finish to modern interior environments.

Specification



- Material: Steel (BGL – Galvalume coated steel with Aluminium, Zinc, and Silicon)
- Sheet thickness: 0.50 mm and 0.60 mm
- Standard section sizes: 25×50, 25×100, 25×150, 50×50, 50×100, and 50×150
- Non-standard sizes can also be provided (Width: 20 mm to 100 mm; Height: 50 mm to 200 mm)
- Length: As per design requirement (maximum 4 meters)
- Finish: Powder coating in standard RAL colours and wood grain finish



SQURE RAFTER CEILING

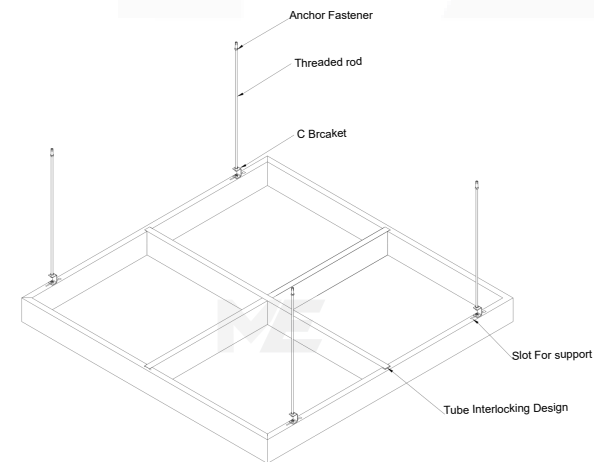
Product Code : ME/SQR-C



Metal Edge ceiling systems are designed to create a clean, open, and contemporary aesthetic. They are easy to install and demount, allowing convenient access to services above the ceiling.

With no-gap precision locking, these systems ensure a seamless and perfectly aligned finish. They are compatible with various lighting solutions and complement a wide range of interior styles, while also ensuring effective air circulation. Suitable for both commercial and residential applications, Metal Edge ceilings are durable, corrosion-resistant, and fire-resistant.

Specification



- Can be manufactured using both aluminium extrusion tube profiles and sheet bending process (U-baffle)
- Baffle sizes: 25×100, 50×100, 50×150
- Standard cell size: 600×600 mm; customized cell sizes available as per architectural requirements
- Material: Steel (BGL) and aluminium extrusion
- Finish: Powder coating with standard RAL colors and wood grain options





TRIANGLE RAFTER CEILING

Product Code : ME/TRI-C

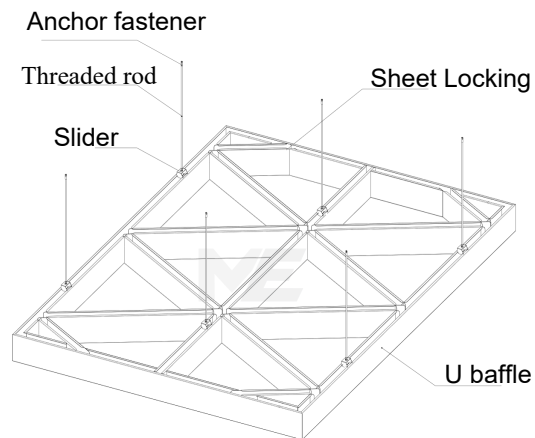


Metal Edge's triangular ceiling system is a distinctive solution designed to create a bold architectural statement with its unique geometric profile. The sharp triangular form introduces depth, rhythm, and a dynamic visual flow, giving modern interiors a strong and refined identity.

Engineered to balance aesthetics with performance, this system is ideal for large-scale environments such as commercial spaces, airports, metro stations, and corporate interiors. Its structured design enhances spatial perception while allowing seamless integration with lighting and service elements.

Crafted for long-term reliability, Metal Edge ensures excellent durability, corrosion resistance, and ease of maintenance, making it a practical yet elegant choice for contemporary architectural applications.

Specification



- Can be manufactured using both aluminium extrusion tube profiles and sheet bending process (U-baffle)
- Baffle sizes: 25×100, 50×100, 50×150
- Standard cell size: 600×600 mm; customized cell sizes available as per architectural requirements
- Material: Steel (BGL) and aluminium extrusion
- Finish: Powder coating with standard RAL colors and wood grain options

TRORSION SPRING CEILING

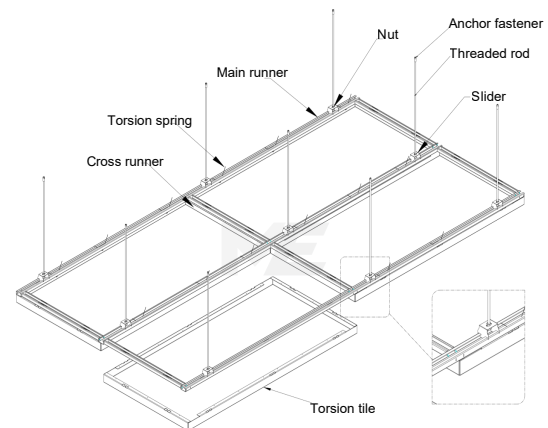
Product Code : ME/TOR-C



Metal Edge's torsion spring ceiling system is designed to deliver a clean, seamless, and monolithic appearance. The panels are securely held in place using a concealed spring mechanism, ensuring a flush finish while allowing easy access for maintenance.

Engineered for precision and durability, the system offers excellent stability along with simple installation and demounting. Suitable for a wide range of commercial and residential applications, Metal Edge combines aesthetic appeal with functional efficiency, making it an ideal choice for modern interior spaces.

Specification



- Panel height: Standard 18 / 50 mm
- Panel sizes: 600 × 600 mm, 600 × 1200 mm
- Custom sizes available as per architect's requirements
- Material: Steel (BGL) and aluminium sheet
- Finish: Powder coating in standard RAL colours and wood grain finish



HOOK ON CEILING

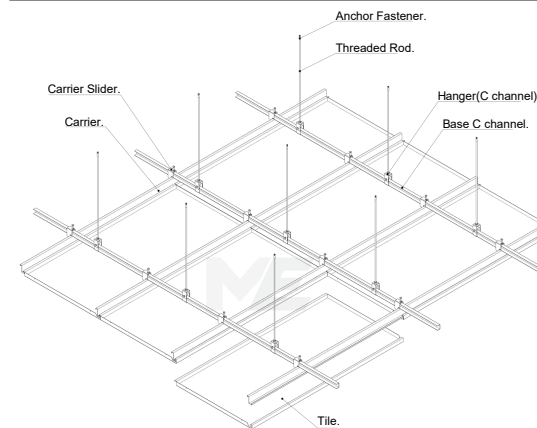
Product Code : ME/HK-C



Metal Edge's hook-on ceiling system is a sleek and seamless solution designed to deliver a clean, linear appearance. The panels are securely fixed onto a concealed suspension system, creating a refined and uniform finish across the ceiling.

Designed for both performance and convenience, the system allows easy installation and dismantling, ensuring quick access for maintenance. Strong and stable in structure, it is ideal for large commercial spaces and high-traffic environments where durability and aesthetics are equally important.

Specification



- Available in plain and perforated tiles
- Standard tile sizes: 600 × 600 mm and 600 × 1200 mm
- Custom sizes available as per design and site requirements
- Material: Steel (BGL – Galvalume coated steel with Aluminium, Zinc, and Silicon)
- Sheet thickness: 0.50 mm and 0.60 mm
- Standard perforation: 2.5 mm (16% open area), with or without acoustic fleece
- Custom perforation patterns available as per design
- Finish: Powder coating in standard RAL colour

MULTI BOX CEILING

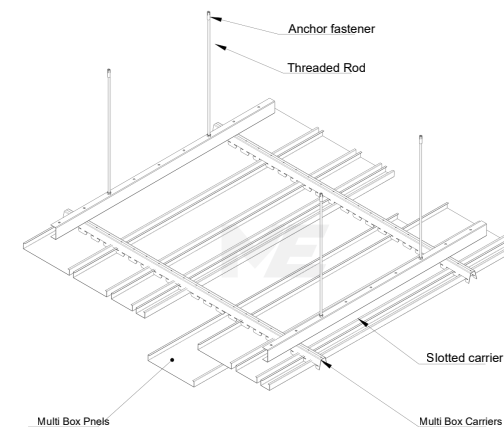
Product Code : ME/MB-C



With versatility in design at its core, Metal Edge's Multi-B Metal Ceiling system offers a range of features that deliver crisp module definition with a modern and refined aesthetic. It is a sustainable solution suitable for both interior and exterior applications.

The system is compatible with standard lighting and HVAC systems and is designed to meet fire safety requirements, making it a reliable and efficient choice for contemporary spaces.

Specification



- Material: Steel – BGL (Bare Galvalume; Al-Zn alloy coated steel comprising 55% Aluminium, 43.4% Zinc, and 1.6% Silicon)
- Sheet thickness: 0.50 mm and 0.6 mm
- Standard section: Minimum height 20 mm and minimum width 50 mm
- Spacing between boxes: Minimum 15 mm
- Length: As per design requirement (maximum 4 m)
- Finish: Powder coating with standard RAL colors and wood grain options

C PLANK CEILING

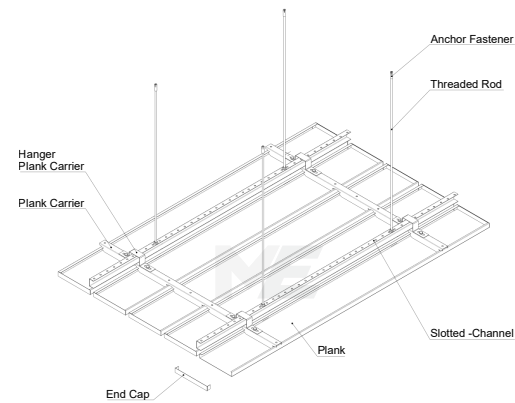
Product Code : ME/CP-C



A refined ceiling solution designed to deliver a clean, linear appearance with a touch of sophistication. The C-shaped planks create a seamless and elegant finish, enhancing modern interior spaces.

Engineered for durability and performance, the system is suitable for a wide range of applications. It combines aesthetic appeal with functional efficiency, making it ideal for commercial and architectural environments.

Specification



- Material: Steel – BGL (Bare Galvalume; Al-Zn alloy coated steel comprising 55% Aluminium, 43.4% Zinc, and 1.6% Silicon)
- Sheet thickness: 0.50 mm and 0.6 mm
- Standard section: Height 18 mm;
- widths available in 50, 75, 100, 125, and 150 mm
- Spacing between planks: Minimum 15 mm
- Length: As per design requirement (maximum 4 m)
- Finish: Powder coating with standard RAL colors and wood grain options

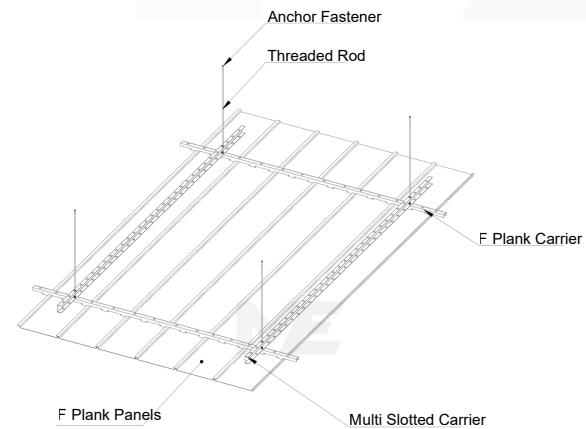
F PLANK CEILING

Product Code : ME/FP-C



Create a lasting impression with Metal Edge's F-shaped plank style metal ceiling. Designed to deliver a bold and striking visual impact, this system enhances the overall aesthetics of any space with a modern and refined appeal. It also offers excellent acoustic absorption, making it suitable for a wide range of applications, including retail, corporate, and healthcare environments. Fully customizable, Metal Edge provides versatile design possibilities, allowing unique combinations tailored to specific project requirements.

Specification



- Material: Steel – BGL (Bare Galvalume; Al-Zn alloy coated steel comprising 55% Aluminium, 43.4% Zinc, and 1.6% Silicon)
- Sheet thickness: 0.50 mm and 0.6 mm
- Standard section: Height 18 mm; width 100 mm
- Spacing between planks: 15 mm
- Length: As per design requirement (maximum 4 m)
- Finish: Powder coating with standard RAL colors and wood grain options





PLAIN LAY IN TILE CEILING

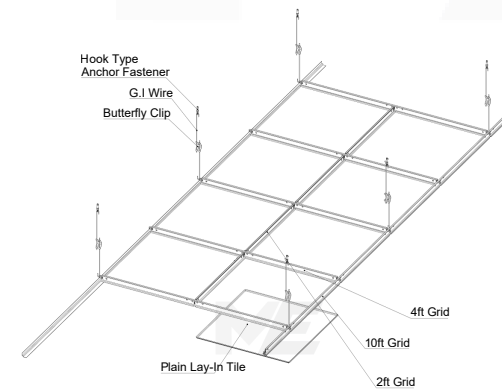
Product Code : ME/LG-PL



Lay-In Grid Ceiling systems offer a clean, simple, and functional ceiling solution suitable for a wide range of applications. The panels are designed to rest on a visible grid framework, allowing for easy installation and quick access to services above the ceiling.

This system is highly versatile and compatible with standard lighting, HVAC, and other service integrations. Ideal for commercial, institutional, and residential spaces, it provides a neat appearance along with durability, ease of maintenance, and cost efficiency.

Specification



- Plain Lay in tiles
- Standard tile sizes: 600×600 mm, 300×1200 mm, and 600×1200 mm
- Material: Steel – BGL (Bare Galvalume; Al-Zn alloy coated steel comprising 55% Aluminium, 43.4% Zinc, and 1.6% Silicon)
- Sheet thickness: 0.50 mm
- Compatible with standard T24 grid systems
- Compatible with standard T15 and silhouette grid systems
- Finish: Powder coating with standard RAL colors and wood grain options



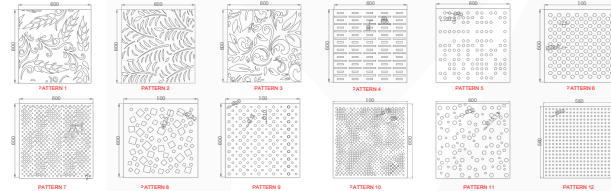
LAY IN PERFORATED TILE CEILING

Product Code : ME/LG-PR

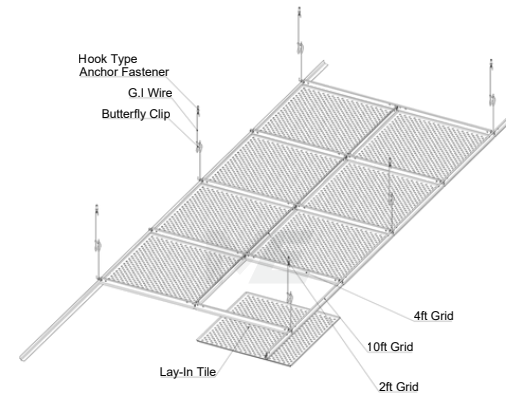


Lay-In Perforated Grid Ceiling systems are designed to provide a clean, modular appearance while enhancing acoustic performance. The perforated panels rest on a visible grid framework, allowing for easy installation and convenient access to services above the ceiling.

Engineered for both functionality and aesthetics, these ceilings offer effective sound absorption when combined with acoustic backing. Suitable for commercial, institutional, and residential applications, they integrate seamlessly with lighting and HVAC systems while delivering durability, ease of maintenance, and a refined finish.



Specification



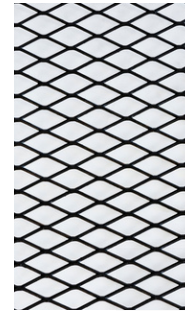
- Available in standard & customised perforations
- Standard tile sizes: 600 × 600 mm and 600 × 1200 mm
- Custom sizes available as per design and site requirements
- Material: Steel (BGL – Galvalume coated steel with Aluminium, Zinc, and Silicon)
- Sheet thickness: 0.50 mm and 0.60 mm
- Standard perforation: 2.5 mm (16% open area), with or without acoustic fleece
- Custom perforation patterns available as per design
- Finish: Powder coating in standard RAL colour & Wooden Finish



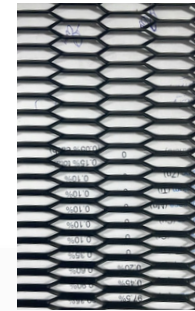


LAY IN MESH CEILING

Product Code : ME/LG-MS



Diamond mesh



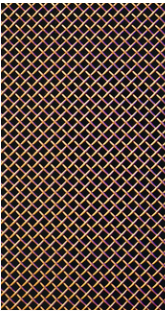
Long honeycomb mesh



Square mesh



Honeycomb mesh



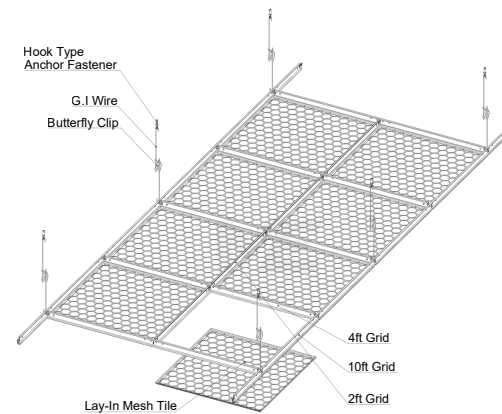
Wire mesh

The Metal Edge Mesh Ceiling System is a versatile ceiling solution designed to create a clean and modern grid appearance. The mesh panels add depth and texture, enhancing the overall visual appeal of interior spaces. Its open design improves airflow while giving a contemporary architectural finish suitable for commercial and modern interiors. The system is available in variety of patterns and sizes, offering flexibility for different design requirements.

Easy to install and demount, the lay-in system allows quick and convenient access to the ceiling plenum for maintenance and service work. The lightweight construction also makes installation efficient and practical for various applications.

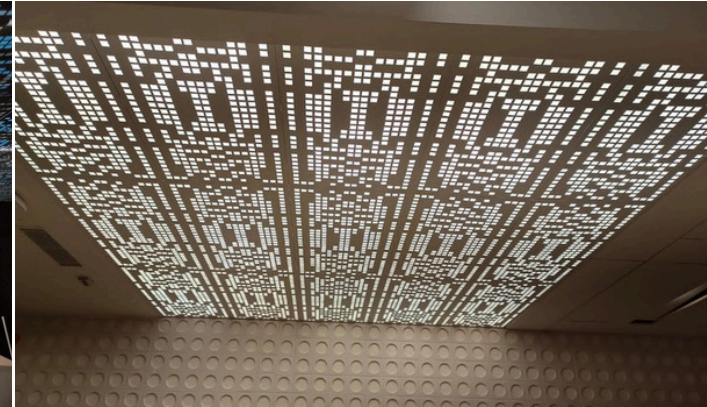
Specification

- Available in Variety of mesh patterns
- Standard tile sizes: 600 × 600 mm and 600 × 1200 mm
- Custom sizes available as per design and site requirements
- Material: CRCA & Aluminium material
- Sheet thickness: 0.50 mm and 0.60 mm
- With or without acoustic fleece
- Custom Mesh patterns available as per design
- Finish: Powder coating in standard RAL colour



CLIP IN TILE CEILING

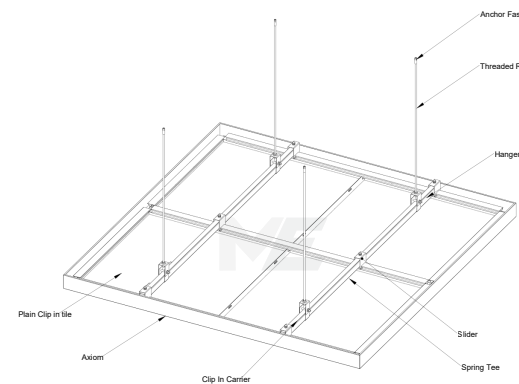
Product Code : ME/CL-PL



The Metal Edge Clip-In Perforated Ceiling System is a modern ceiling solution designed to enhance spaces with clean lines and refined perforated patterns. It creates a sleek and uniform appearance while adding visual depth to interior environments.

The clip-in system ensures easy installation and seamless integration with existing ceiling structures, providing a neat and contemporary finish. Its concealed suspension design enhances the overall aesthetics with a smooth and elegant look.

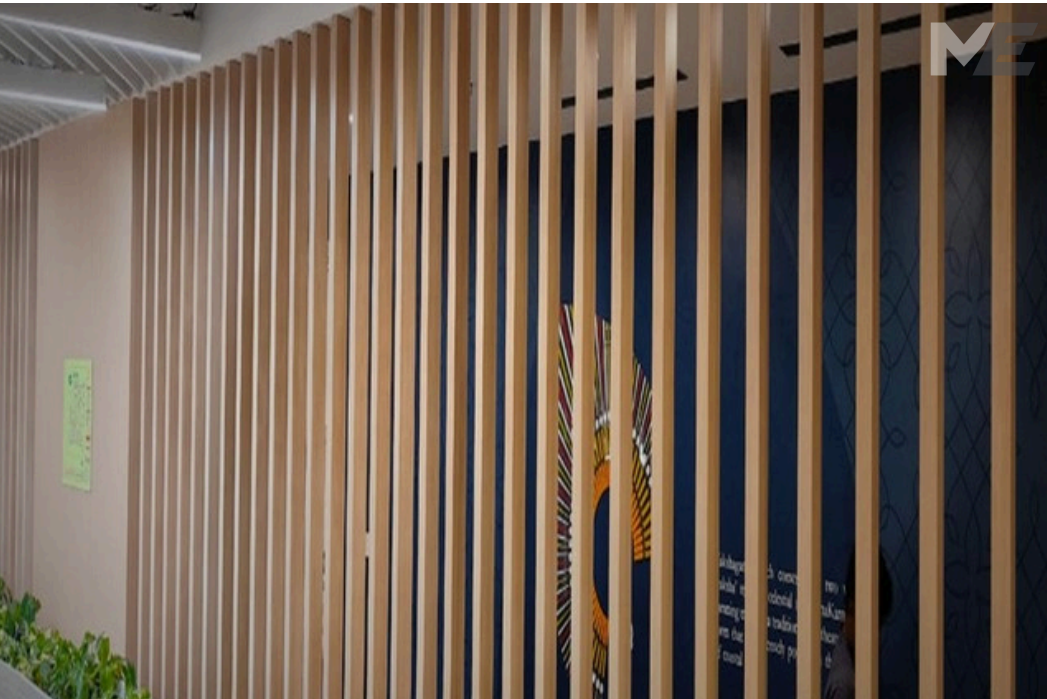
Specification



- Available in plain and perforated tiles
- Standard tile sizes: 600 × 600 mm and 600 × 1200 mm
- Custom sizes available as per design and site requirements
- Material: Steel (BGL – Galvalume coated steel with Aluminium, Zinc, and Silicon)
- Sheet thickness: 0.50 mm and 0.60 mm
- Standard perforation: 2.5 mm (16% open area), with or without acoustic fleece
- Custom perforation patterns available as per design
- Finish: Powder coating in standard RAL colour

WALL BAFFLE CLADDING

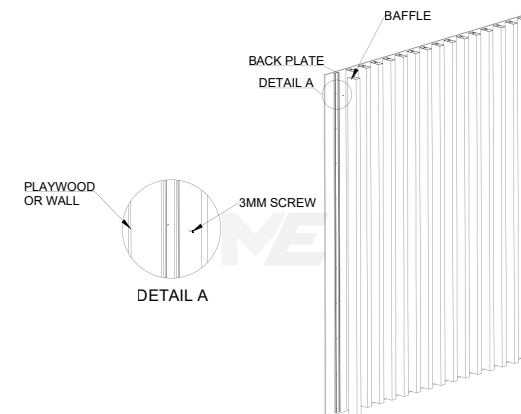
Product Code : ME/WB-CDG



A modern wall cladding solution designed to create a bold and linear architectural statement. The baffle design adds depth, texture, and a dynamic visual appeal to interior spaces.

Engineered for flexibility, it can be customized to suit various design requirements. With durable construction and refined finishes, it enhances both aesthetics and acoustic performance in commercial environments.

Specification



- Available in plain and perforated Baffles
- Standard tile sizes: 25x50 , 25x100, 50x50,50x100 , 50x150 mm
- Custom sizes available as per design and site requirements
- Material: Steel (BGL – Galvalume coated steel with Aluminium, Zinc, and Silicon)
- Thickness: 0.50 mm and 3 mm
- Perforation: In any pattern
- Custom perforation patterns available as per design
- Finish: Powder coating in standard RAL & Wooden finish colour

SQUARE OPEN CELL CEILING

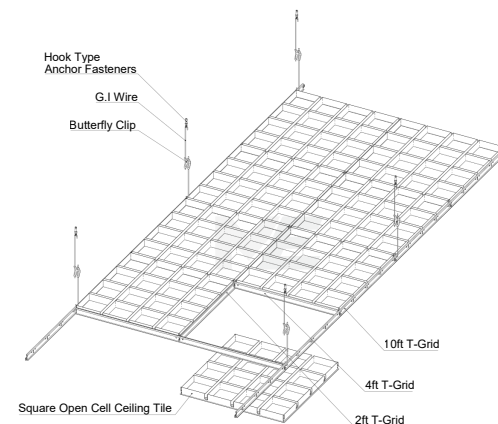
Product Code : ME/SQOC-G



Create striking shadows and dynamic lighting effects with Metal Edge's Square Open Cell metal ceiling system. The grid-style design defines spaces while maintaining an open and spacious feel, making it ideal for modern interiors that require light and airy constructions.

This versatile system allows the creation of multiple design modules within a single ceiling, offering flexibility in design and layout. It is also an excellent choice for retaining the original volume of the space while enhancing visual appeal.

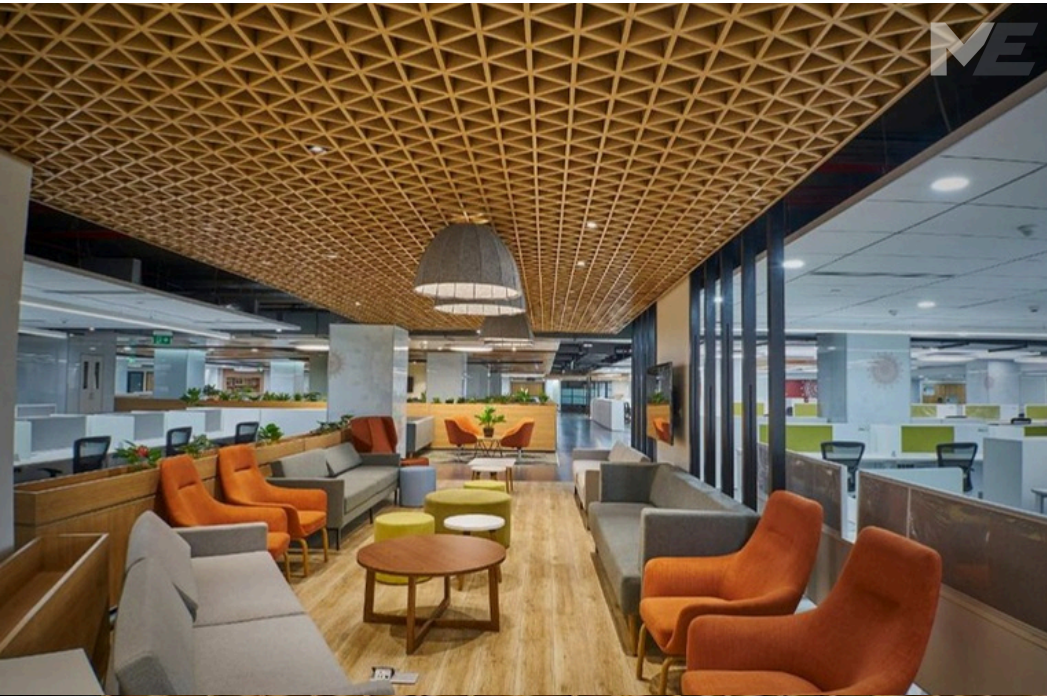
Specification



- Standard Tile Sizes (mm):
590 × 590 ,588 × 588 ,545 × 545 ,477 × 477
- Cell Sizes (mm): 50 / 75 / 100 / 150
- Material: Steel – BGL (Bare Galvalume);
Aluminium-Zinc alloy coated steel – 55%
Aluminium, 43.4% Zinc, 1.6% Silicon)
- Sheet Thickness: 0.50 mm
- Channel Size: Width: 9 mm , Height: 40 mm
- Finish: Powder coating with standard RAL
colours

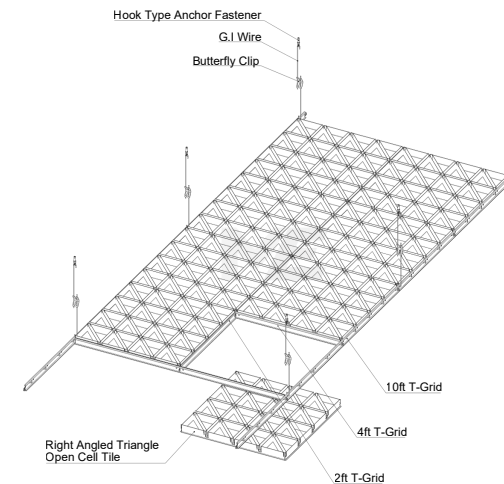
TRIANGLE OPEN CELL CEILING

Product Code : ME/TROC-G



This high-performance and soothing style of metal ceiling with a Metal Edge finish is all you need to give your room the stylish makeover you've always dreamed of. Ideal for a variety of settings and buildings, this interior solution comes in standard sizes with a durable powder-coated finish. It is designed to meet safety, security, and quality compliance standards."

Specification



- Technical Specifications – Open Cell Ceiling
- Standard Tile Sizes (mm):
 - 578 × 578 , 582 × 582 , 662 × 662
- Cell Sizes (mm): 100 / 130 / 150
- Material: Steel – BGL (Bare Galvalume: Aluminium-Zinc alloy coated steel – 55% Aluminium, 43.4% Zinc, 1.6% Silicon)
- Sheet Thickness: 0.50 mm
- Channel Size: Width: 9 mm , Height: 40 mm
- Finish: Powder coating with standard RAL colours

LINEAR OPEN CELL CEILING

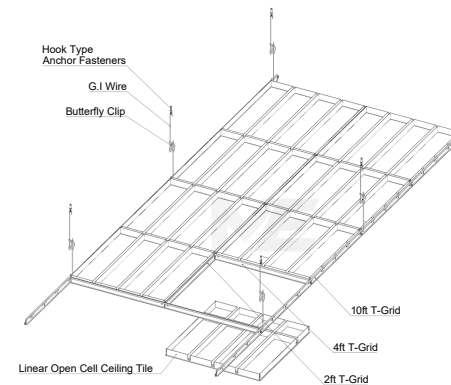
Product Code : ME/LROC-G/R



The Metal Edge Linear Open Cell Ceiling System is lightweight and available in a wide range of elegant finishes and colours, giving interiors a modern and stylish appearance.

Its open-cell design creates a clean and spacious look, making it ideal for contemporary commercial and architectural spaces. The system also provides excellent ventilation and enhances the overall ceiling aesthetics. Easy to install and demount, it allows convenient access to the ceiling plenum for maintenance and service requirements. The system can be installed with a T15 grid OR MetalEdge Runner system, providing a neat and structured ceiling layout.

Specification



- Linear Open ceiling design suitable especially for enclosed spaces.
- Provides easy access to the ceiling plenum and can be installed with tee-grid system.
- Can also be integrated with other metal and plasterboard ceiling styles.
- Linear cell size: Standard tile size: 600 x 1200 mm / 41 x 600mm
- Material: Steel – BGL
- Sheet thickness: 0.50mm, Channel width: 9mm, Channel height: 40 mm
- Finish: Powder coating with standard RAL Colours.

CUSTOMISED CEILING

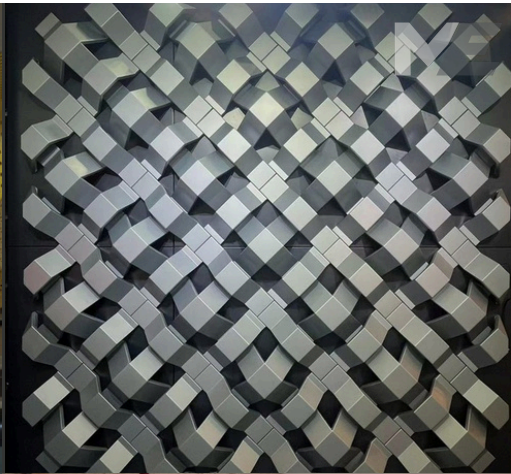
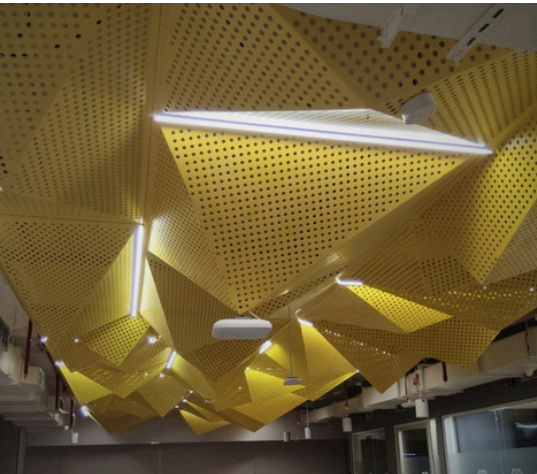
Product Code : ME/CUSTM-ME

Tailored ceiling systems designed to meet unique architectural and project requirements. Combining design flexibility with precision engineering, each solution is crafted to match specific layouts, finishes, and performance needs.

From concept to execution, we deliver customized ceilings that enhance both aesthetics and functionality, creating distinctive and impactful interior spaces.

Specification

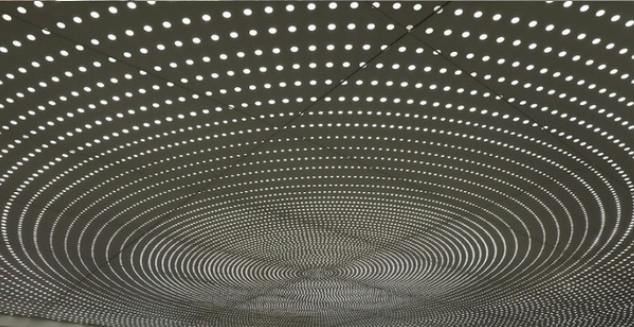
- Material: Galvanized Steel / Aluminium
- Thickness: 0.5 mm – 1.2 mm (or as required)
- Finish: Powder Coated / PVDF / Anodized / Wood Finish
- Color: As per RAL / Custom colors available
- Panel Size: Customizable
- Perforation: Optional (Various patterns available)
- Installation: Suspended Ceiling System
- System Type: Clip-in / Lay-in / Hook-on (as per system)
- Acoustic Infill: Rockwool / Non-woven Fabric (optional)
- Fire Performance: As per relevant standards
- Application Area: Commercial / Residential / Industrial



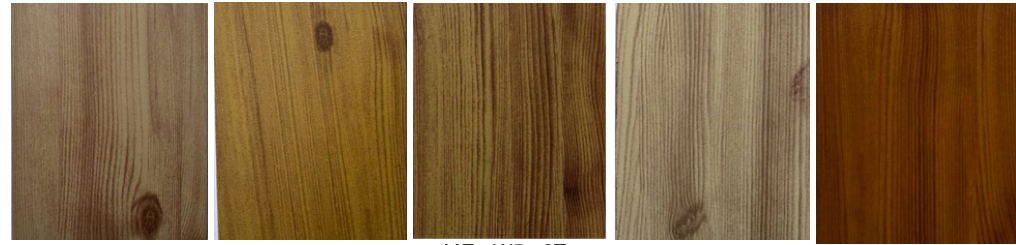
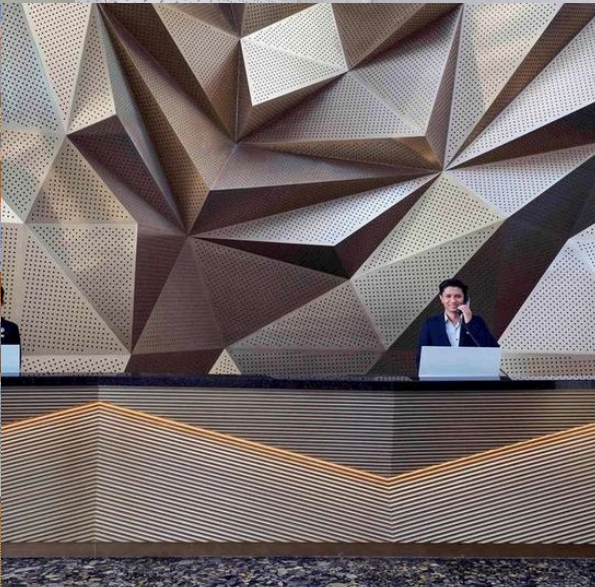
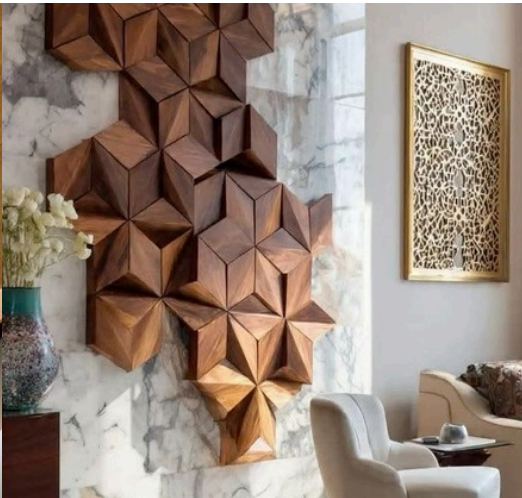
CUSTOMISED CEILING



CUSTOMISED CEILING



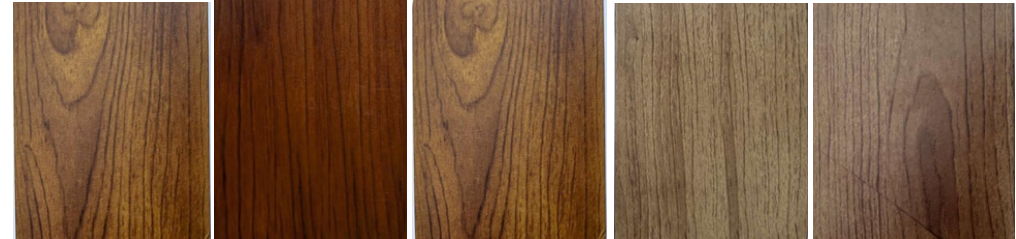
METAL EDGE WOODEN FINISH'S



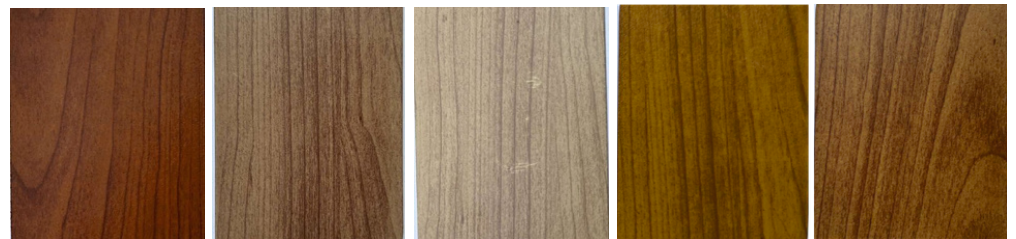
ME - W5 - 4M ME - W5 - 3T ME - W5 - 2T ME - W5 - 5M ME - W5 - 1T



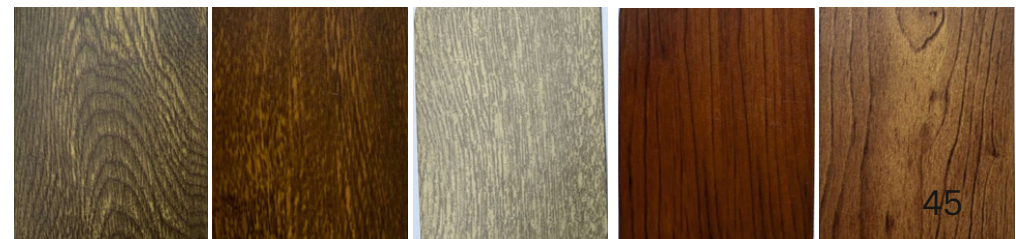
ME - W3 - 3T ME - W3 - 2T ME - W3 - 4M ME - W3 - 1T ME - W3 - 5M



ME - W4 - 3T ME - W4 - 1T ME - W4 - 3T ME - W4 - 5M ME - W4 - 4M



ME - W1 - 1T ME - W1 - 4M ME - W1 - 5M ME - W1 - 3T ME - W1 - 2T



ME - W2 - 2T ME - W2 - 1T ME - W2 - 5M ME - W4 - 1T ME - W4 - 2T

ME

ME

ME

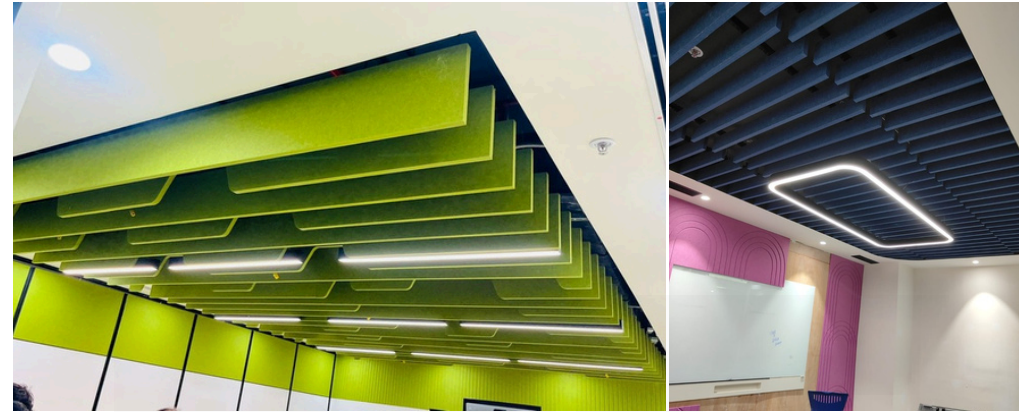
ME





LINEAR ACOUSTIC BAFFLE CEILING

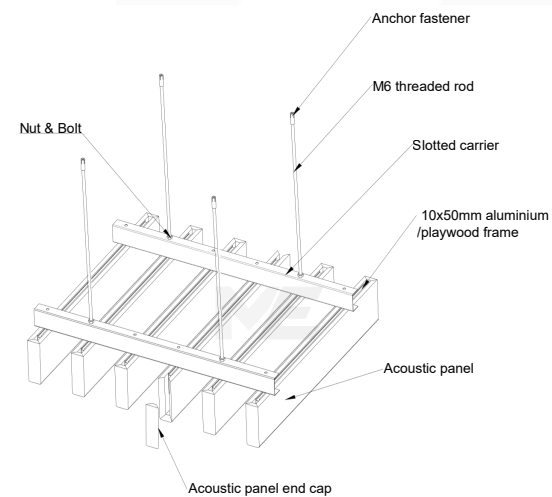
Product Code : ME/ACL-B-C



The Metal Edge Linear Acoustic Baffle System is a modern ceiling solution designed to create a clean linear appearance with enhanced acoustic performance. Its open baffle design helps control sound while adding depth and rhythm to interior spaces.

Lightweight and easy to install, the system allows convenient access for maintenance and services. Ideal for commercial and architectural spaces, it combines modern aesthetics with effective acoustic performance.

Specification

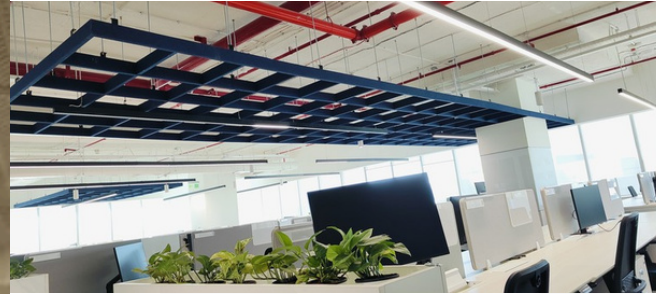


- Material: Acoustic Panel / Aluminium / Plywood
- Finish: Available in all standard and custom finishes
- Standard Sizes: 28×100 mm, 28×150 mm, 34×100 mm, 34×150 mm, 49×100 mm, 49×150 mm
- Thickness: 9 mm / 12 mm
- Customization: Sizes and configurations can be customized as per design and site requirements



ACOUSTIC RAFTER CEILING

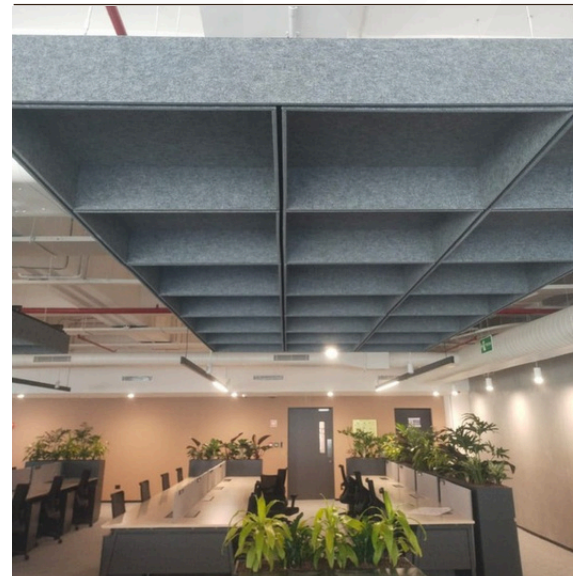
Product Code : ME/AC-R-C



A modern ceiling system designed to deliver a clean linear appearance with enhanced acoustic performance. The open baffle design effectively controls sound while adding depth and rhythm to interior spaces.

Lightweight and easy to install, it allows convenient access for maintenance and services. Ideal for commercial environments, it combines aesthetic appeal with functional acoustic efficiency.

Specification



- Material: Acoustic Panel / Aluminium / Plywood
- Finish: Available in all standard and custom finishes
- Standard Sizes: 28×100 mm, 28×150 mm, 34×100 mm, 34×150 mm, 49×100 mm, 49×150 mm
- Thickness: 9 mm / 12 mm
- Customization: Sizes and configurations can be customized as per design and site requirements





ME

ME

ACOUSTIC CLOUD CEILING

Product Code : ME/AC-CD-C



Metal Edge's acoustic cloud ceiling system is designed to enhance both aesthetics and acoustic comfort within a space. Suspended as individual elements, these panels create a floating ceiling effect that adds depth and a modern visual appeal.

Engineered for effective sound absorption, the system helps reduce noise levels and improve overall acoustic performance, making it ideal for offices, auditoriums, and commercial interiors. Its flexible design allows creative layouts, enabling unique configurations tailored to architectural requirements.

Crafted for durability and ease of installation, Metal Edge ensures a high-performance solution that combines functionality with contemporary design, making it a perfect choice for dynamic interior environments.

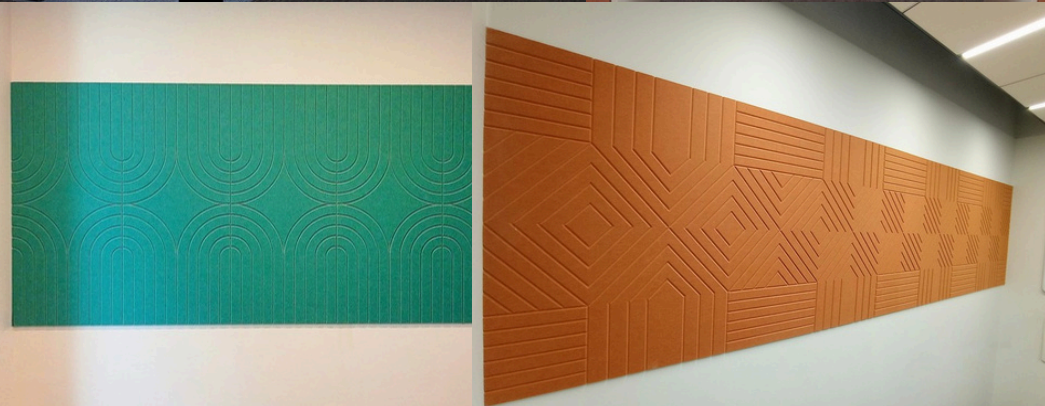
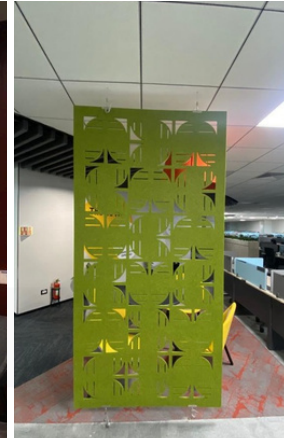
Specification



- Material: Acoustic Panel / Aluminium / Plywood
- Finish: Available in all standard and custom finishes
- Standard Shapes & Sizes: 600 mm (Round, Square, Rectangle, Triangle, etc.)
- Customization: Sizes, shapes, and configurations can be fully customized as per design intent and site requirements

ACOUSTIC WALL CLADDING

Product Code : ME/AC-WP



Metal Edge's acoustic wall panels are designed to enhance both aesthetics and sound performance. Available in plain and V-grooved finishes, they offer a choice between a clean, minimal look and a textured, dynamic surface. Engineered for effective sound absorption, they help reduce noise and improve acoustic comfort, making them ideal for offices, conference rooms, and commercial interiors. Durable and easy to install, they provide a reliable and refined solution for modern spaces

Specification



- Material: Acoustic Panel
- Finish: Available in standard and custom finishes
- Panel Size: 1200 × 2400 mm / 1200 × 2700 mm
- Thickness: 9 mm / 12 mm
- Customization: V-groove patterns can be created on the surface with multi-color combinations as per design requirements





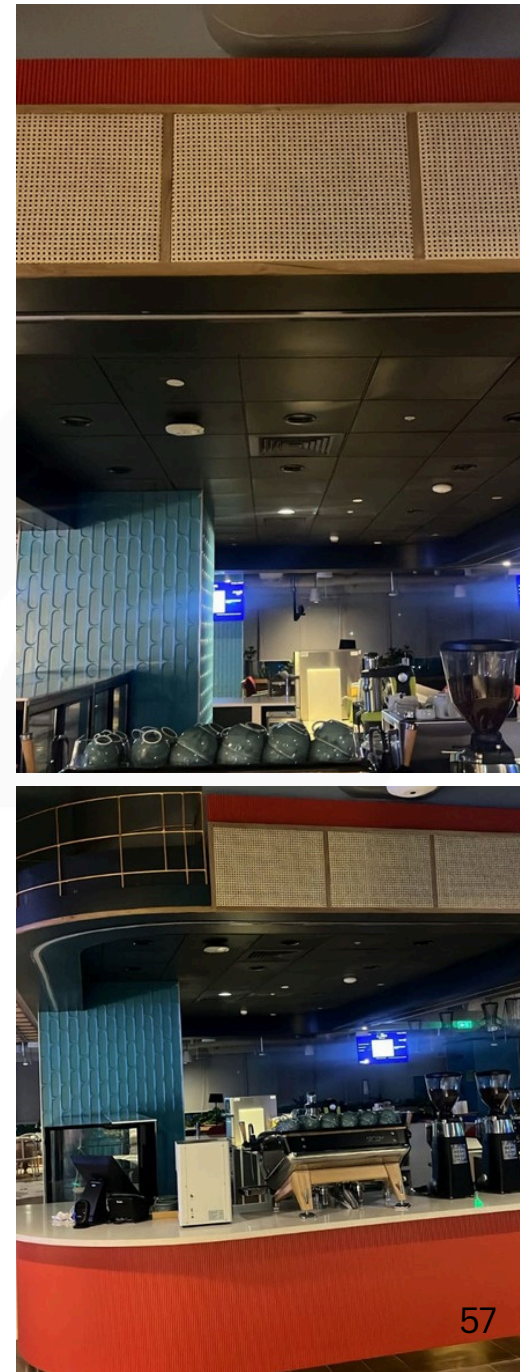
RATTAN CEILING

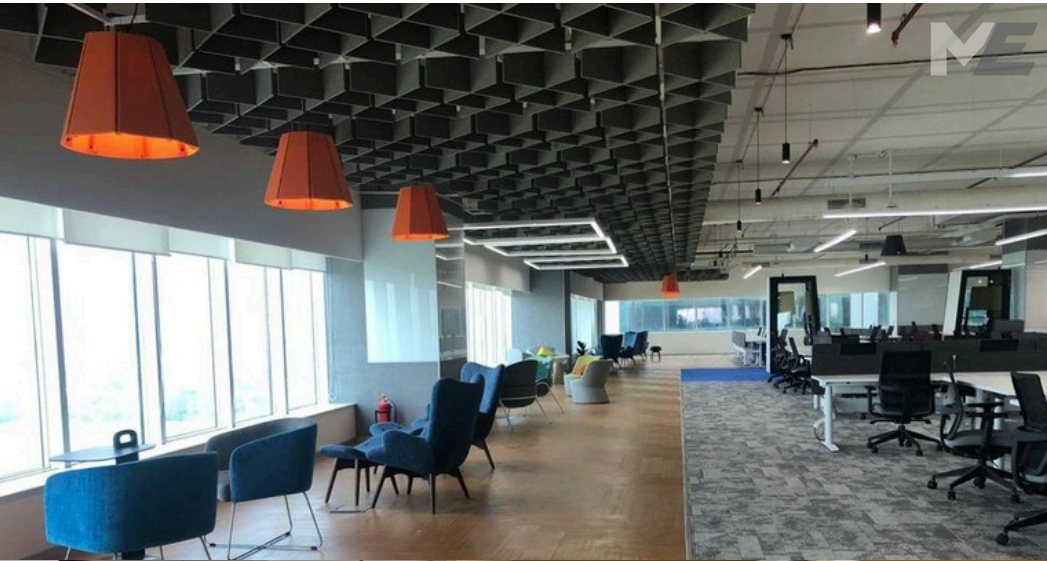
Product Code : ME/RTTN

Rattan ceiling systems bring a natural, elegant, and eco-friendly touch to interior spaces. With their warm texture and organic look, they enhance the overall ambience while adding visual depth and character to the ceiling. Ideal for modern, tropical, and hospitality interiors, rattan ceilings create a soft, relaxed atmosphere and improve acoustic comfort by naturally diffusing sound and light. Their lightweight and versatile design allows easy installation across various styles and layouts, making them a perfect blend of aesthetics and functionality

Specification

- Material: PVC & CANE Material
- Finish: Natural finish
- Standard Sizes: 450, 600, 900, 1200 MM
- Customization: Sizes, shapes, and configurations can be fully customized as per design intent and site requirements



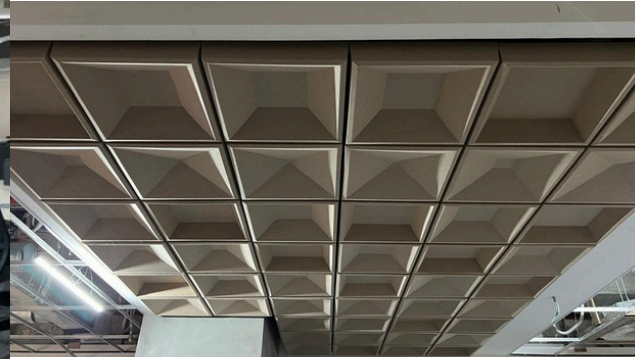


ME

ACOUSTIC CUSTOMISED CEILING

Product Code : ME/CUSTM-AC

ME



Metal Edge's acoustic customized ceiling system is designed to deliver both design flexibility and superior sound performance. Tailored to project requirements, it allows unique shapes, patterns, and layouts to create distinctive interior environments.

Engineered for effective sound absorption, it helps control noise and enhance acoustic comfort in spaces such as offices, auditoriums, and commercial interiors. Durable and easy to install, Metal Edge offers a versatile solution that combines creativity with functionality.





ME

METAL EDGE

THE PRODUCT



ME



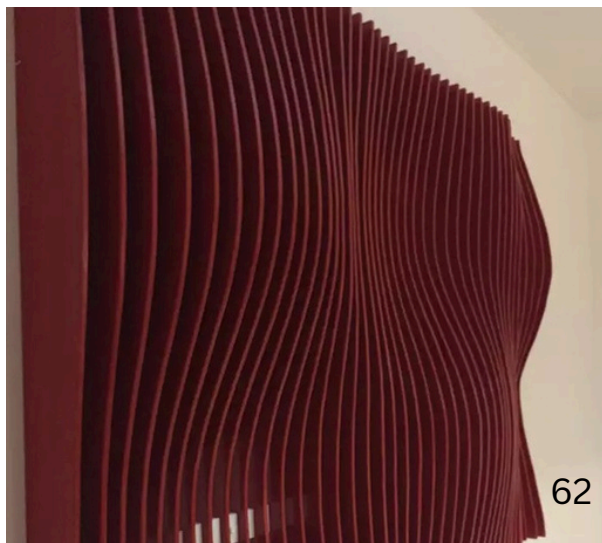
PARAMETRIC
WALL CLADDING
BOTH IN ACOUSTIC AND METAL

PARAMETRIC WALL CLADDING

Product Code : ME/PAR-C

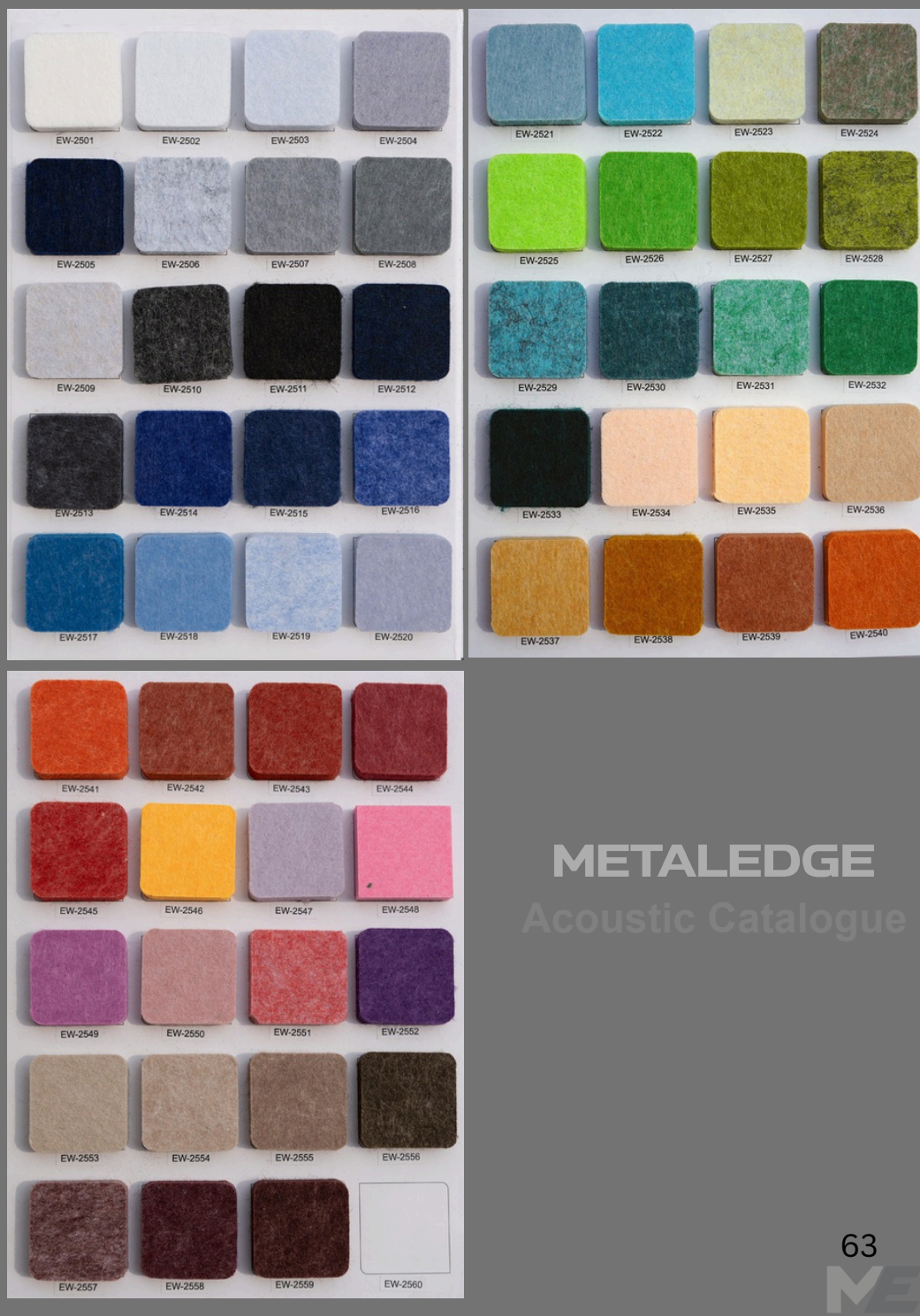
Metal Edge's parametric wall cladding is designed to create visually striking and dynamic surfaces through customized patterns and forms. It enables unique design expressions, adding depth, movement, and a modern architectural identity to interior spaces.

Engineered for precision and durability, the system allows flexible design configurations tailored to project requirements. Suitable for commercial and premium interiors, it combines creativity with performance, delivering a bold and refined wall solution.



Specification

- Material: Metal & Acoustic
- Acoustic Panel Thickness: 9 mm / 12 mm
- Metal Profile Sizes (mm):
• 25 × 100, 25 × 150, 50 × 100, 50 × 150, 50 × 200
- Finish Metal Powder coating in any standard RAL colour
- Acoustic – Standard finish
- Customization: Can be manufactured in any required pattern






METALEDGE

TECHNOLOGIES PVT LTD

Metaledge Technologies Pvt Ltd

 # SY 43, Bylakonahalli , No2
Kadabgere, Bengaluru, Karnataka, India -562162
Ph.: +917259877899 / 7022333482

 Mail: reach@metaledge.in  www.metaledge.in
 Insta: metaledge_official  @metaledge_official